



Technical Features

- Rotary battery switch
- High continuous current
- Typical operation voltage 12/24/48 VDC
- Suited for indoor and outdoor applications
- normally open
- Removable turn key
- Protection cover
- High switching frequency

FLUIDPARTS compact battery switch
with removable turn key



Description

Auxiliary drives, such like the FLUIDPARTS compact (FPC) power pack series, are often required in mobile applications and they are often directly supplied out of a battery. For those applications, such like tippers or leveling systems, a main battery switch highly is recommended in order to safely disconnect the power pack from the battery if not needed or if the vehicle is driving.

The FLUIDPARTS compact (FPC) battery switch comes with a removable turn key in order to avoid unauthorized operation. In case that the key is removed the included protection cover can be plugged on in order to avoid water ingress. In this case a protection class of IP43 can be obtained.

The FPC battery switch is characterized by a simple but ruggedized design.

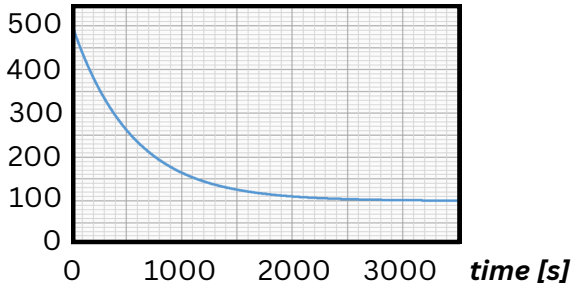
FLUIDPARTS compact battery switch
with removed turn key and closed protection cover

Technical Data

maximum continuous current	A	100
typical operating voltage	V	12/24 VDC
mounting position	-	arbitrary
actuation type	-	manual
mounting type	-	screw mounted
ambient temperature	°C	-20...60
switching frequency mechanical	-	10.000
protection class	-	IP43 with plug IP4x without plug



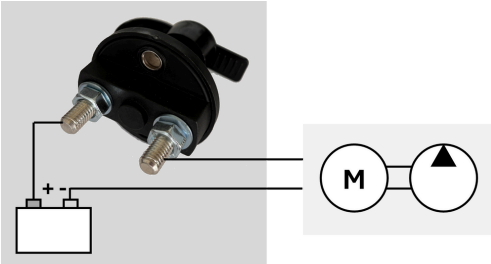
current [A]



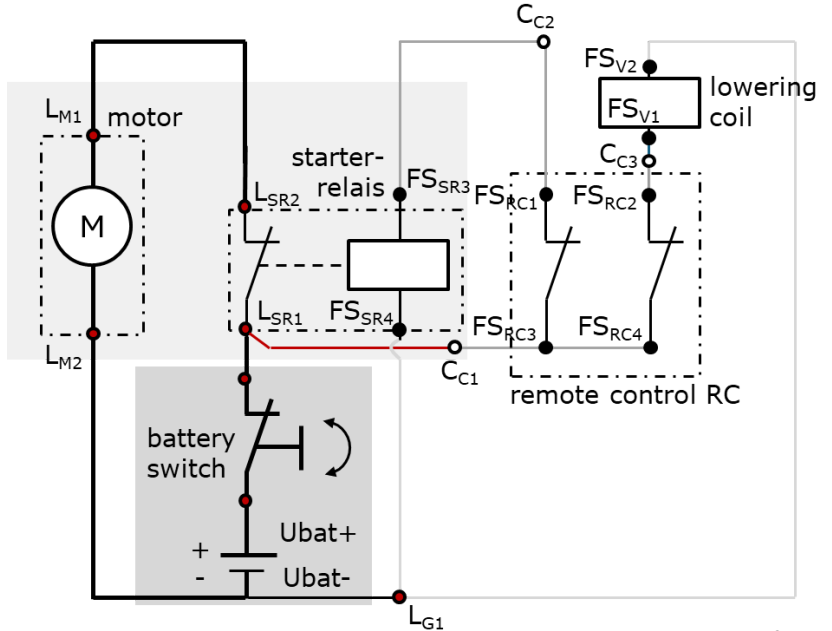
ampere-time-diagram

For continuous power the maximum applicable current is 100A. At 500 A the maximum operating duration is 10s. The ampere-time-diagram on the left shows maximum time rating for arbitrary load. The time is the maximum switch on time. After each cycle a cooling phase between 5 and 30 minutes needs to be guaranteed in order not to overheat the battery switch and the cables.

Connection

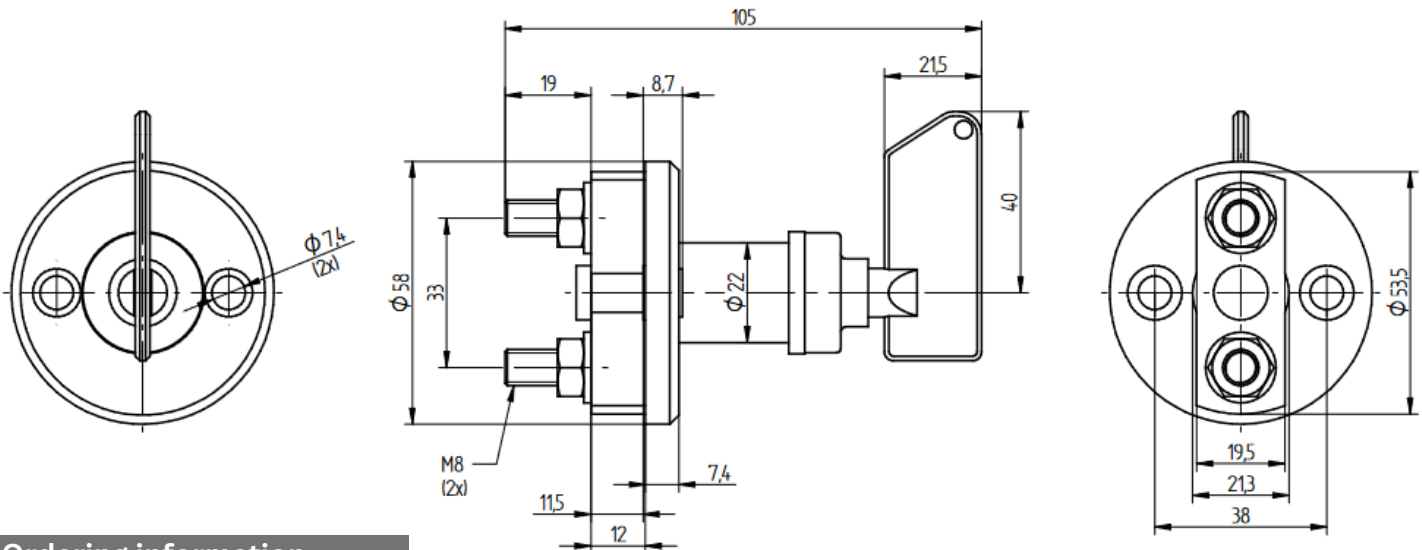


The battery plus pole is connected to one of the M8 bolts. The second bolt is connected directly to the electrical device, e.g. the power pack. The connection usually is done to a starter relais that shall enable and disable the motor power. For this ring terminal lugs M8 thread size for cable cross sections 2,5-6 mm² are recommended. The maximum tightening torque is 8 Nm*.



*) it is highly recommended to additionally protect the application with suitable fuses

Dimensional Drawing



Ordering information

Item number	Item description	Order Code
1450019	Battery Switch 12/24 V	FPC-D000XA00
1450103	Starter Relais Kit 12 V (accessories)	KIT-FPC-B-RELAIS 12V
1450104	Starter Relais Kit 24 V (accessories)	KIT-FPC-B-RELAIS 24V